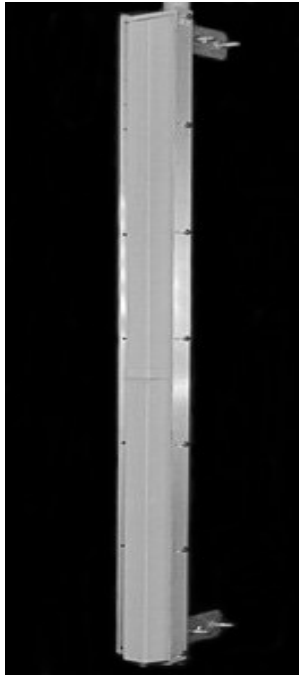


TA-2304-4 Adjustable Sector

2300-2500 MHz



The TA-2304-4 is a vertically polarized high gain sectoral antenna which can be ordered with adjustable side panels for 60-160 degree patterns. The antenna consists of a printed dipole array enclosed in an aluminum base with a UV stabilized radome for superior weatherability. The antenna is at DC ground to aid in lightning protection. Due to the very narrow elevation beamwidth, TIL-TEK recommends that this antenna be used on stable platforms and where other options are not practical.

Electrical Specifications

Frequency Range: 2300-2500 MHz
Gain: 20 dBi @ 60°, 18.5 dBi @ 90°
 17 dBi @ 120°, 15.5 dBi @ 160°
SWR: 1.5:1 max.
Front to Back Ratio: 20 dB min.
Polarization: Vertical
Power Rating: 100 Watts
H-Plane Beamwidth: 60, 90, 120, 160 degrees
E-Plane Beamwidth: 3.7 degrees
Cross Pol. Discrimination: 20 dB min.
Impedance: 50 ohms nominal
Termination: N female

Typical mid band values. (For details, contact factory)
 Specifications subject to change without notice

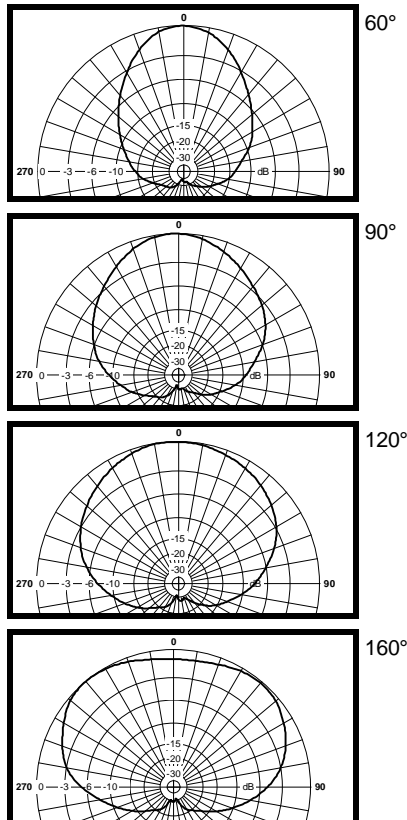
Mechanical Specifications

Length: 71 in. (1803 mm)
Width: 4.9 in. (124 mm)
Depth: 4.6 in. (117 mm)
Weight (incl. Clamps): 12 lb. (5.5 kg)
Rated Wind Velocity: 125 mph (200 km/h)
Hor. Thrust at rated wind: 153 lb. (69 kg)
Mechanical Tilt: 0 - 10 degrees (optional)
Mounting (O.D.): 0.75 - 3.0 in. (19 - 76 mm)

Materials

Radiating Elements: Plated copper on PCB
Reflector: Irridated aluminum
Radome: Gray UV stabilized ASA
Clamps: Aluminum and HDG steel

H-Plane



E-Plane

