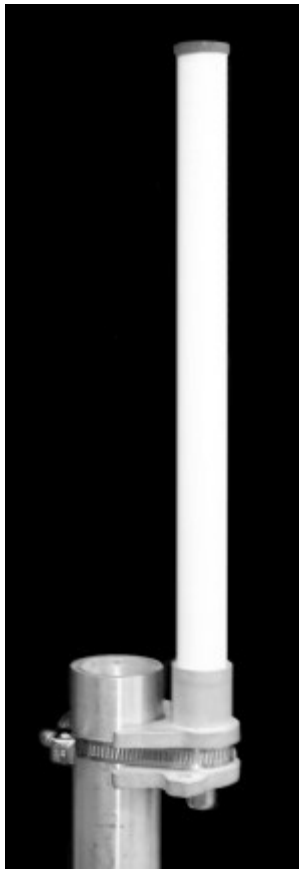




# LANtenna Series

## TA-2461 Omnidirectional

### 2400-2483 MHz



The TA-2461 is a 6.5 dBi omnidirectional antenna consisting of center fed collinear dipoles in a UV stabilized fiberglass radome. The antenna is designed for severe weather conditions and is at DC ground to aid in lightning protection.

#### Electrical Specifications

**Frequency Range:** 2400-2483 MHz

**Gain:** 6.5 +/- 0.5 dBi

**VSWR:** 2:1 max.

**Polarization:** Vertical

**Power Rating:** 125 Watts

**H-Plane Beamwidth:** 360 degrees

**E-Plane Beamwidth:** 27 degrees

**Cross Pol. Discrimination:** 15 dB min.

**Impedance:** 50 ohms nominal

**Termination:** N female

Typical mid band values. (For details, contact factory)  
Specifications subject to change without notice

#### Mechanical Specifications

**Length:** 14 in. (356 mm)

**Diameter:** 1.0 in (25 mm)

**Weight (Incl. Clamps):** 0.8 lb. (0.36 kg)

**Rated Wind Velocity:** 125 mph (200 km/h)

**Hor. Thrust at rated wind:** 6.5 lb. (2.9 kg)

**Mounting (O.D.):** 0.75 - 3.0 in. (19 - 76 mm)

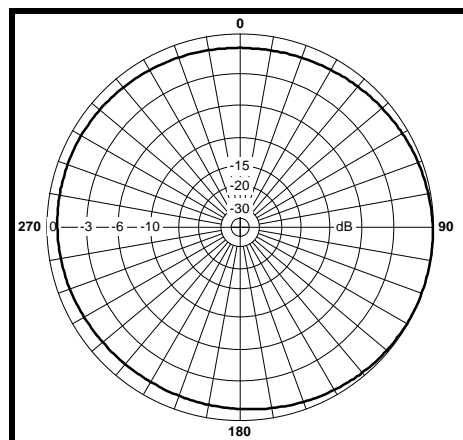
#### Materials

**Radiating Elements:** Plated copper on PCB

**Radome:** White UV stabilized fiberglass

**Clamps:** Stainless steel

H-Plane



E-Plane

